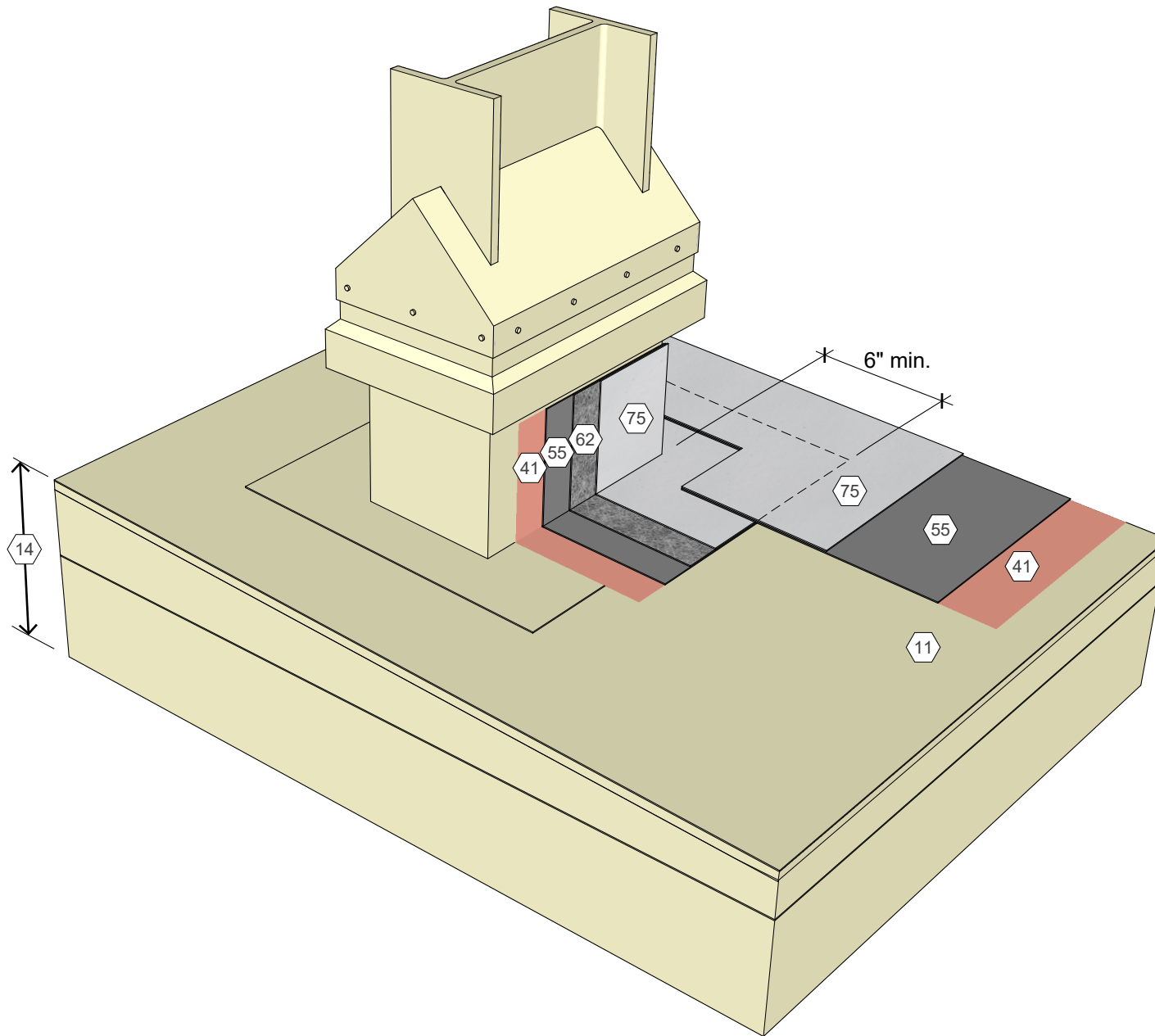


KEY NOTES

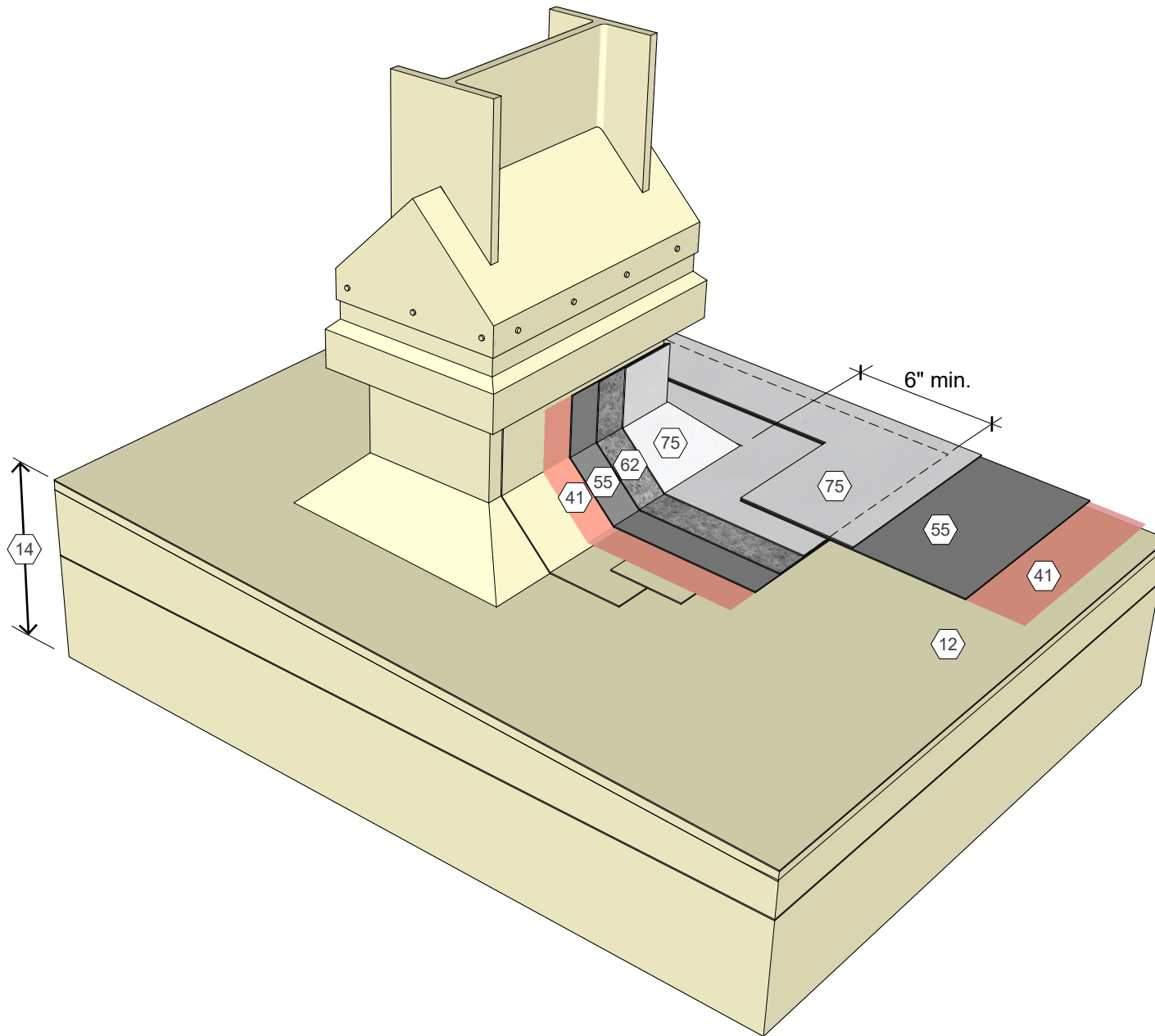
- 11 Existing Single-Ply Membrane
- 14 Existing Structural Deck and Insulation Assembly
- 41 Approved Primer
- 55 Geogard Base Coat
- 62 Permafab
- 75 Geogard Finish Coat



Geogard® Restoration Detail, Single-Ply, Structural Member Through Roof Deck
Detail 17141

KEY NOTES

- 12 Existing MB or Smooth BUR
- 14 Existing Structural Deck and Insulation Assembly
- 41 Approved Primer
- 55 Geogard Base Coat
- 62 Permafab
- 75 Geogard Finish Coat



Geogard® Restoration Detail, MB or Smooth BUR, Structural Member Through Roof Deck
Detail 17142